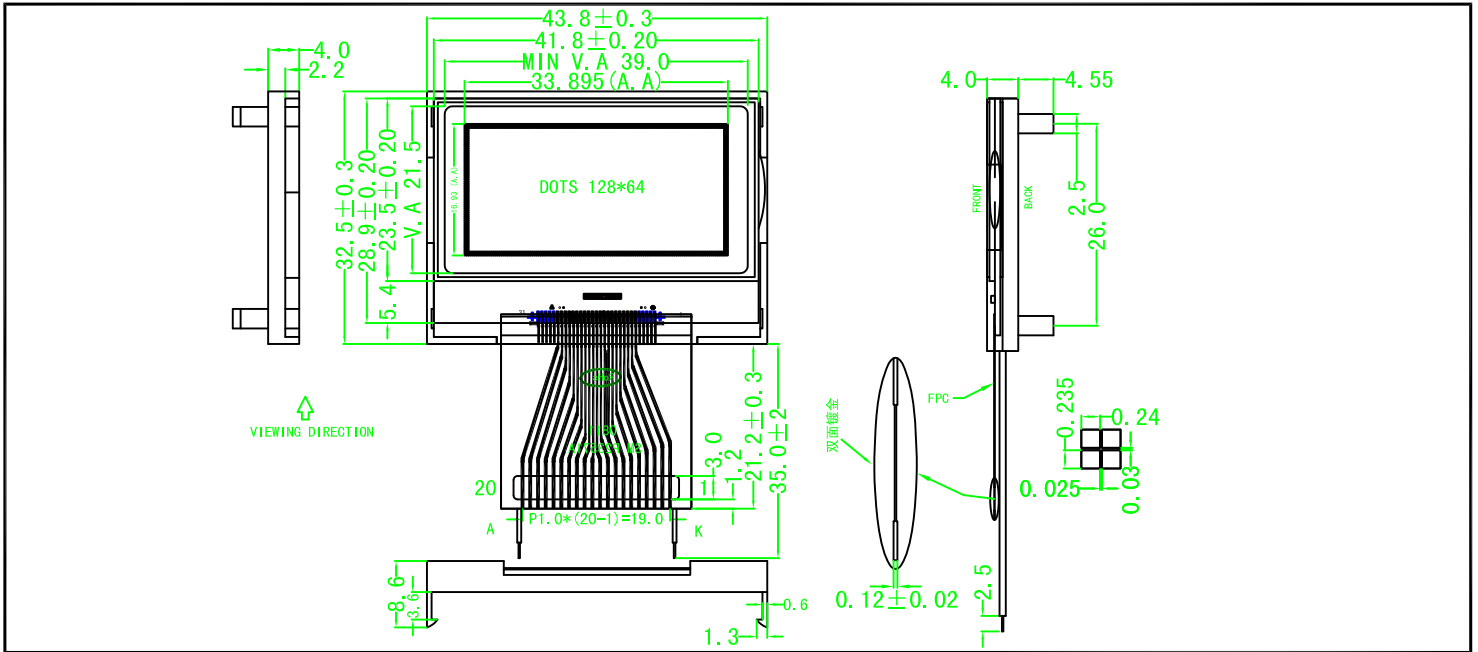
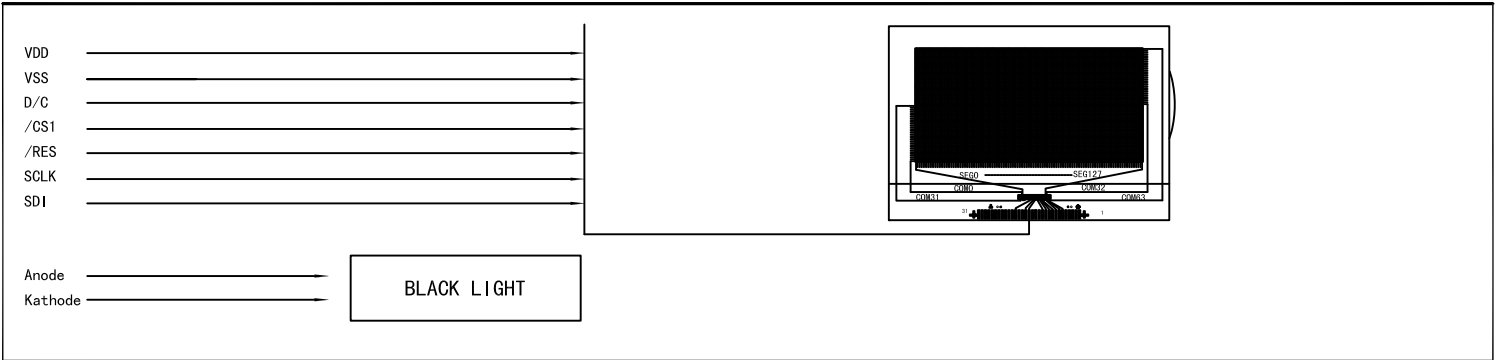


1.0 DIMENSIONAL DRAWING



2.0 BLOCK DIAGRAM & POWER SUPPLY



3.0 MECHANICAL SPECIFICATIONS & FEATURE

Item	Nominal Dimensions (mm)	Feature	
		LCD Type	STN
Module Size(W*H*T)	43.8 × 32.5 × 4.0	LCD Colure	Y-G
View Area(W*H)	39.0 × 21.0	View Angle	6 0'clock
Dot × Dot(W*H)	128 × 64	Display Type	Positive Type
Dot Pitch(W*H)	0.265 × 0.265	Rear Polarizer	Transmissive
Dot Size(W*H)	0.24 × 0.235	Operating Temperature	0° C to +50° C
---	---	Storage Temperature	-10° C to +60° C
---	---	Backlight	LED(Green)

4.0 ELECTRICAL CHARACTERISTICS

Item	Symbol	Test Condition	Min.	Typ.	Max.	Unit
Operating Voltage	Vdd	Ta=25° C	---	3.0	---	V
Operating Voltage For LCD	Vlcd	Ta=25° C	---	10.3	---	V
Supply Current	Idd	Ta=25° C, Vdd=3.0V	---	15	---	μA
Supply Current For Backlight	If	Ta=25° C, VAK=3.0V	---	15	---	mA

5.0 INTERFACE PIN CONNECTIONS

Pin No.	Symbol	Level	Description
1	/CS1	L	LCM Selection Signal Input Terminal
2	/RES	H→L, H	LCM Reset Signal Input Terminal
3	D/C	H/L	LCM Data/command Signal Input Terminal
4	SCLK	H/L	LCM Enable Signal Input Terminal
5	SDI	H/L	LCM Data Input Terminal
6	VDD	3.0V	LCM Power Supply Positive Input Terminal
7	VSS	0V	LCM Power Supply Negative Input Terminal
8-9	NC		NOT Connected
10	VO		Power
11	XVO		Power
12-13	NC		
14	VG		Power
15-20	NC		
	A	3.0V	LED Backlight Power Supply Positive Input Terminal
	K	0V	LED Backlight Power Supply Negative Input Terminal